



Model: C4138V1

Basic size of
mm

d:	190
D:	320
B:	128

The basic rated load is
kN

trends C:	2040
static state Co:	3150
Fatigue load limit Pu:	275

Rated rotation speed is
r/min

Refer to the speed:	-
limit speed:	130
quality:	43

model

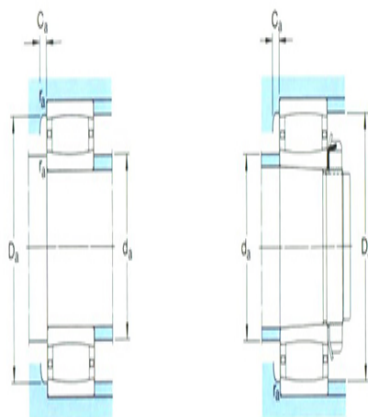
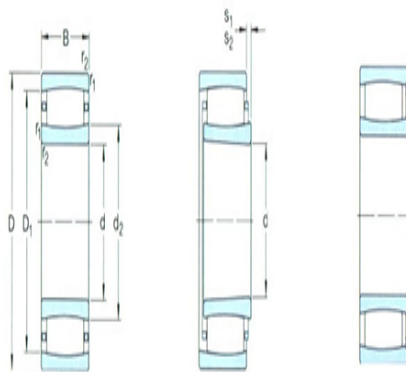
Bearing cylindrical hole:	*C4138V1)
conical bore:	*C4138K30 V

Dimensions are
mm

d:	190
d ₂ ~ :	222
D1 ~ :	284
r _{1,2} the min:	3
s ₁ ¹⁾ ~ :	20
s ₂ ¹⁾ ~ :	10.1

Shoulder gear and chamfer size
mm

d _a the min:	204
d _a the max:	220
Da the min:	-
Da the max:	306
Ca ²⁾ the max:	-



r_a the max:	2.5
----------------	-----

Calculation coefficient

k_1 :	0.094
---------	-------

k_2 :	0.111
---------	-------