



Model: C2238

Basic size of
mm

d:	190
D:	340
B:	92

The basic rated load is
kN

trends C:	1370
static state Co:	1730
Fatigue load limit Pu:	156

Rated rotation speed is
r/min

Refer to the speed:	1800
limit speed:	2400
quality:	34

model

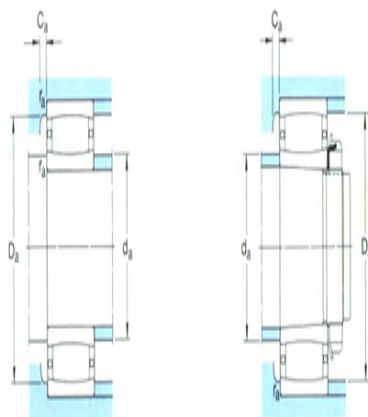
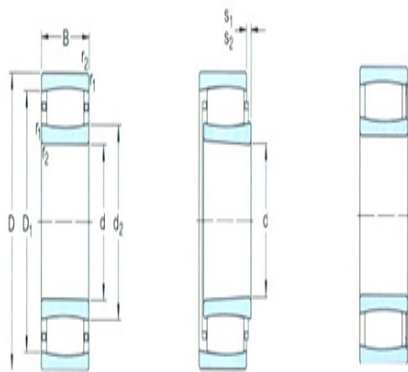
Bearing cylindrical hole:	*C2238
conical bore:	*C2238K2)

Dimensions are
mm

d:	190
d ₂ ~ :	224
D1 ~ :	296
r _{1,2} the min:	4
s ₁ ¹⁾ ~ :	22.5
s ₂ ¹⁾ ~ :	-

Shoulder gear and chamfer size
mm

d _a the min:	207
d _a the max:	250
Da the min:	275
Da the max:	323
Ca ²⁾ the max:	1.6



r_a the max:	3
----------------	---

Calculation coefficient

k_1 :	0.108
---------	-------

k_2 :	0.108
---------	-------