



Model: C4128K30V

Basic size of
mm

d:	140
D:	225
B:	85

The basic rated load is
kN

trends C:	1000
static state Co:	1600
Fatigue load limit Pu:	153

Rated rotation speed is
r/min

Refer to the speed:	-
limit speed:	630
quality:	14.2

model

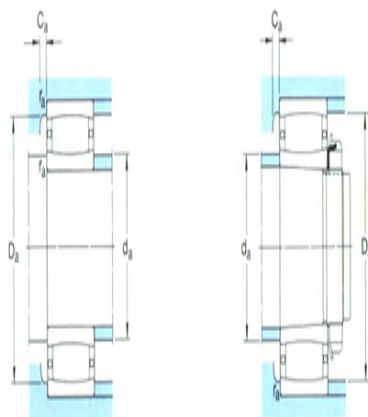
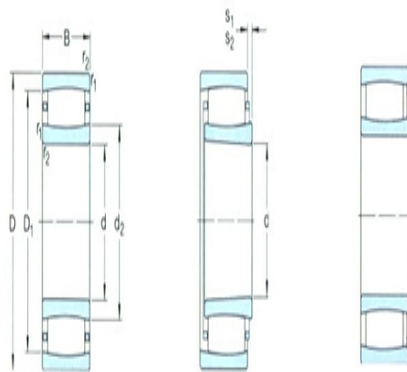
Bearing cylindrical hole:	*C4128V
conical bore:	*C4128K30V

Dimensions are
mm

d:	140
d ₂ ~ :	167
D1 ~ :	203
r _{1,2} the min:	2.1
s ₁ ¹⁾ ~ :	12
s ₂ ¹⁾ ~ :	5.2

Shoulder gear and chamfer size
mm

d _a the min:	151
d _a the max:	185
Da the min:	-
Da the max:	214
Ca ²⁾ the max:	-



r_a the max:	2
----------------	---

Calculation coefficient

k_1 :	0.111
---------	-------

k_2 :	0.097
---------	-------