



## Model: C2228K

Basic size of  
mm

d:	140
D:	250
B:	68

The basic rated load is  
kN

trends C:	830
static state Co:	1060
Fatigue load limit Pu:	102

Rated rotation speed is  
r/min

Refer to the speed:	2400
limit speed:	3400
quality:	13.8

model

Bearing cylindrical hole:	*C2228
conical bore:	*C2228K

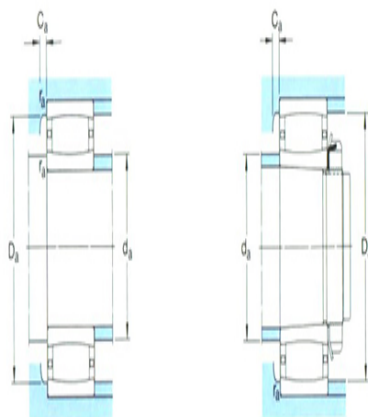
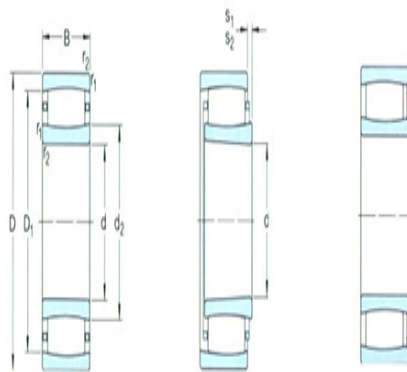
Dimensions are  
mm

d:	140
d <sub>2</sub> ~ :	173
D1 ~ :	223
r <sub>1,2</sub> the min:	3
s <sub>1</sub> <sup>1)</sup> ~ :	13.7
s <sub>2</sub> <sup>1)</sup> ~ :	-

Shoulder gear and chamfer size  
mm

d <sub>a</sub> the min:	154
d <sub>a</sub> the max:	190
Da the min:	210
Da the max:	236
Ca <sup>2)</sup> the max:	2.3
r <sub>a</sub> the max:	2.5

Calculation coefficient



$k_1:$  0.109

$k_2:$  0.108