



## Model: C3130K

Basic size of  
mm

d:	150
D:	250
B:	80

The basic rated load is  
kN

trends C:	880
static state Co:	1290
Fatigue load limit Pu:	122

Rated rotation speed is  
r/min

Refer to the speed:	2000
limit speed:	2800
quality:	15

model

Bearing cylindrical hole:	*C3130
conical bore:	*C3130K

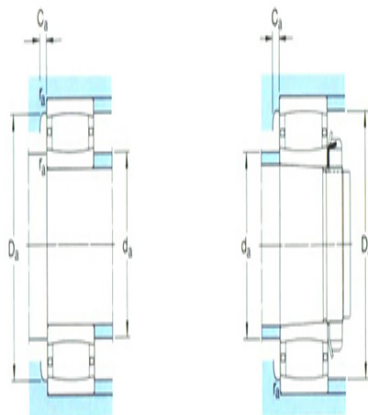
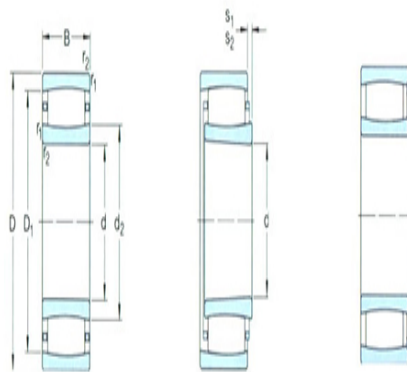
Dimensions are  
mm

d:	150
d <sub>2</sub> ~ :	182
D1 ~ :	226
r <sub>1,2</sub> the min:	2.1
s <sub>1</sub> <sup>1)</sup> ~ :	13.9
s <sub>2</sub> <sup>1)</sup> ~ :	-

Shoulder gear and chamfer size  
mm

d <sub>a</sub> the min:	162
d <sub>a</sub> the max:	195
Da the min:	215
Da the max:	238
Ca <sup>2)</sup> the max:	2.3
r <sub>a</sub> the max:	2

Calculation coefficient



$k_1:$  0.12

$k_2:$  0.092