



Model: C4032K30

Basic size of
mm

d:	160
D:	240
B:	80

The basic rated load is
kN

trends C:	795
static state Co:	1160
Fatigue load limit Pu:	110

Rated rotation speed is
r/min

Refer to the speed:	1600
limit speed:	2400
quality:	12.3

model

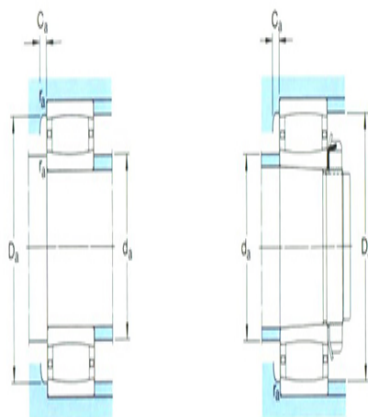
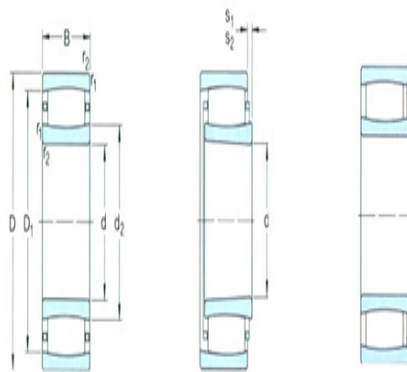
Bearing cylindrical hole:	*C4032
conical bore:	*C4032K30

Dimensions are
mm

d:	160
d ₂ ~ :	181
D1 ~ :	217
r _{1,2} the min:	2.1
s ₁ ¹⁾ ~ :	18.1
s ₂ ¹⁾ ~ :	-

Shoulder gear and chamfer size
mm

d _a the min:	171
d _a the max:	190
Da the min:	210
Da the max:	229
Ca ²⁾ the max:	2.2



r_a the max:	2
----------------	---

Calculation coefficient

k_1 :	0.109
---------	-------

k_2 :	0.103
---------	-------