



Model: C3232K

Basic size of
mm

d:	160
D:	290
B:	104

The basic rated load is
kN

trends C:	1370
static state Co:	1830
Fatigue load limit Pu:	170

Rated rotation speed is
r/min

Refer to the speed:	1700
limit speed:	2400
quality:	28.5

model

Bearing cylindrical hole:	*C3232
conical bore:	*C3232K

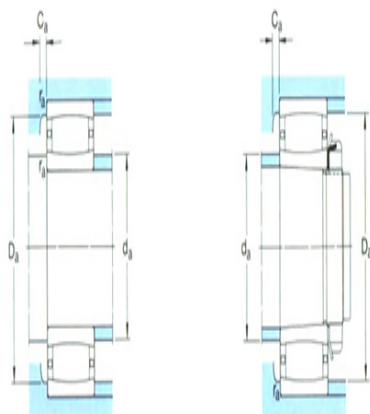
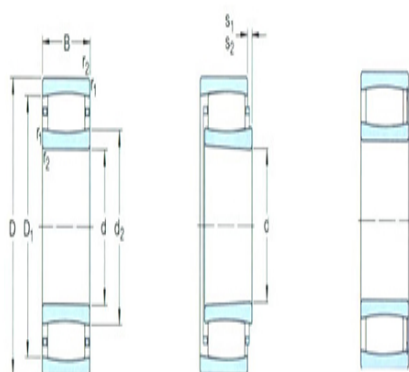
Dimensions are
mm

d:	160
d ₂ ~ :	194
D1 ~ :	256
r _{1,2} the min:	3
s ₁ ¹⁾ ~ :	19.3
s ₂ ¹⁾ ~ :	-

Shoulder gear and chamfer size
mm

d _a the min:	174
d _a the max:	215
Da the min:	245
Da the max:	276
Ca ²⁾ the max:	2.6
r _a the max:	2.5

Calculation coefficient



$k_1:$ 0.112

$k_2:$ 0.096