



### Model: C3034K1

Basic size of  
 mm

d:	170
D:	260
B:	67

The basic rated load is  
 kN

trends C:	750
static state Co:	1160
Fatigue load limit Pu:	108

Rated rotation speed is  
 r/min

Refer to the speed:	2000
limit speed:	2800
quality:	12.5

model

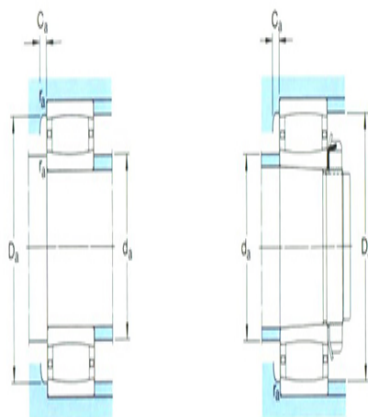
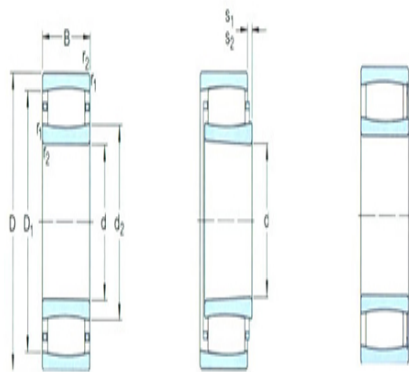
Bearing cylindrical hole:	*C30341)
conical bore:	*C3034K1 )

Dimensions are  
 mm

d:	170
d <sub>2</sub> ~ :	200
D1 ~ :	237
r <sub>1,2</sub> the min:	2.1
s <sub>1</sub> <sup>1)</sup> ~ :	12.5
s <sub>2</sub> <sup>1)</sup> ~ :	-

Shoulder gear and chamfer size  
 mm

d <sub>a</sub> the min:	181
d <sub>a</sub> the max:	200
Da the min:	238
Da the max:	249
Ca <sup>2)</sup> the max:	5.8



$r_a$ the max:	2
----------------	---

Calculation coefficient

$k_1$ :	0.105
---------	-------

$k_2$ :	0.112
---------	-------