



Model: C3134K1

Basic size of
mm

d:	170
D:	280
B:	88

The basic rated load is
kN

trends C:	1040
static state Co:	1460
Fatigue load limit Pu:	137

Rated rotation speed is
r/min

Refer to the speed:	1900
limit speed:	2600
quality:	21

model

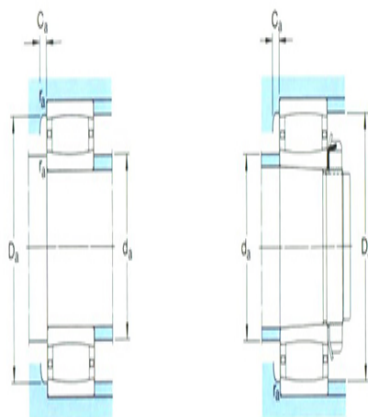
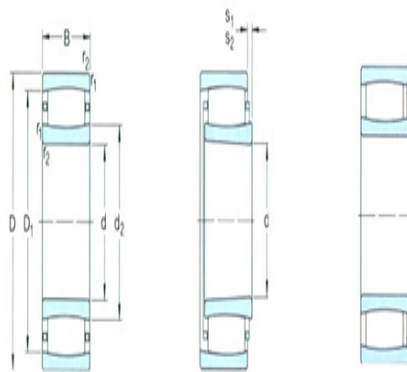
Bearing cylindrical hole:	*C31341)
conical bore:	*C3134K1)

Dimensions are
mm

d:	170
d ₂ ~ :	200
D1 ~ :	249
r _{1,2} the min:	2.1
s ₁ ¹⁾ ~ :	21
s ₂ ¹⁾ ~ :	-

Shoulder gear and chamfer size
mm

d _a the min:	182
d _a the max:	200
Da the min:	250
Da the max:	268
Ca ²⁾ the max:	7.6



r_a the max:	2
----------------	---

Calculation coefficient

k_1 :	0.101
---------	-------

k_2 :	0.109
---------	-------