



Model: C3036K2

Basic size of
mm

d:	180
D:	280
B:	74

The basic rated load is
kN

trends C:	880
static state Co:	1340
Fatigue load limit Pu:	125

Rated rotation speed is
r/min

Refer to the speed:	1900
limit speed:	2600
quality:	16.5

model

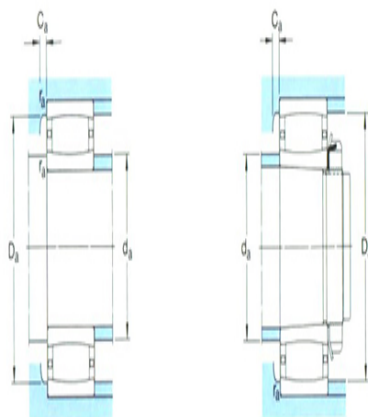
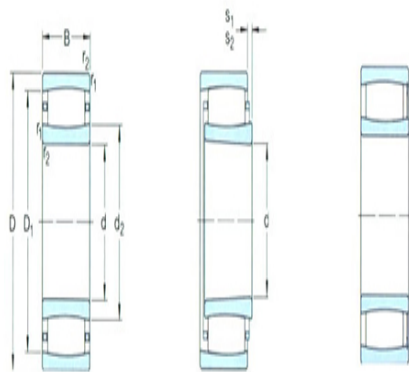
Bearing cylindrical hole:	*C3036
conical bore:	*C3036K2)

Dimensions are
mm

d:	180
d ₂ ~ :	209
D1 ~ :	251
r _{1,2} the min:	2.1
s ₁ ¹⁾ ~ :	15.1
s ₂ ¹⁾ ~ :	-

Shoulder gear and chamfer size
mm

d _a the min:	191
d _a the max:	220
Da the min:	240
Da the max:	269
Ca ²⁾ the max:	2



r_a the max:	2
----------------	---

Calculation coefficient

k_1 :	0.112
---------	-------

k_2 :	0.105
---------	-------