



## Model: C4036K30V

Basic size of  
mm

d:	180
D:	280
B:	100

The basic rated load is  
kN

trends C:	1320
static state Co:	2120
Fatigue load limit Pu:	193

Rated rotation speed is  
r/min

Refer to the speed:	-
limit speed:	430
quality:	23

model

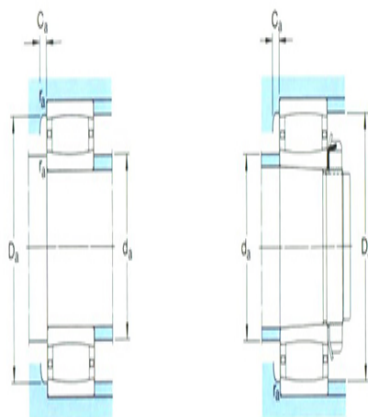
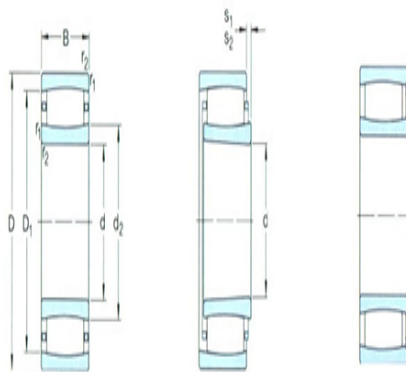
Bearing cylindrical hole:	*C4036V
conical bore:	*C4036K30V

Dimensions are  
mm

d:	180
d <sub>2</sub> ~ :	203
D1 ~ :	247
r <sub>1,2</sub> the min:	2.1
s <sub>1</sub> <sup>1)</sup> ~ :	20.1
s <sub>2</sub> <sup>1)</sup> ~ :	10.2

Shoulder gear and chamfer size  
mm

d <sub>a</sub> the min:	191
d <sub>a</sub> the max:	225
Da the min:	-
Da the max:	269
Ca <sup>2)</sup> the max:	-



$r_a$ the max:	2
----------------	---

Calculation coefficient

$k_1$ :	0.107
---------	-------

$k_2$ :	0.103
---------	-------