



## Model: C3136K2

Basic size of  
mm

d:	180
D:	300
B:	96

The basic rated load is  
kN

trends C:	1250
static state Co:	1730
Fatigue load limit Pu:	156

Rated rotation speed is  
r/min

Refer to the speed:	1800
limit speed:	2400
quality:	26

model

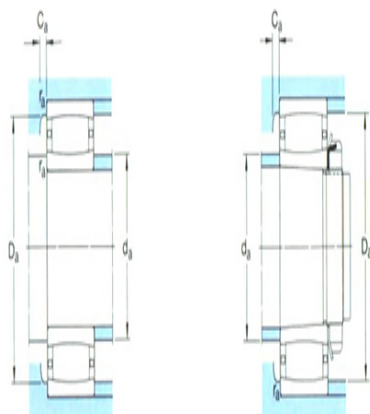
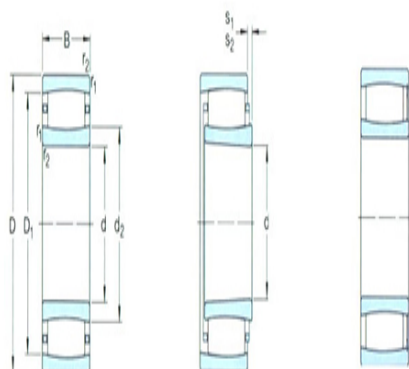
Bearing cylindrical hole:	*C3136
conical bore:	*C3136K2 )

Dimensions are  
mm

d:	180
d <sub>2</sub> ~ :	210
D1 ~ :	266
r <sub>1,2</sub> the min:	3
s <sub>1</sub> <sup>1)</sup> ~ :	23.2
s <sub>2</sub> <sup>1)</sup> ~ :	-

Shoulder gear and chamfer size  
mm

d <sub>a</sub> the min:	194
d <sub>a</sub> the max:	230
Da the min:	255
Da the max:	286
Ca <sup>2)</sup> the max:	2.2



$r_a$ the max:	2.5
----------------	-----

Calculation coefficient

$k_1$ :	0.102
---------	-------

$k_2$ :	0.111
---------	-------