



**Model: C4136K30V1**

Basic size of  
 mm

d:	180
D:	300
B:	118

The basic rated load is  
 kN

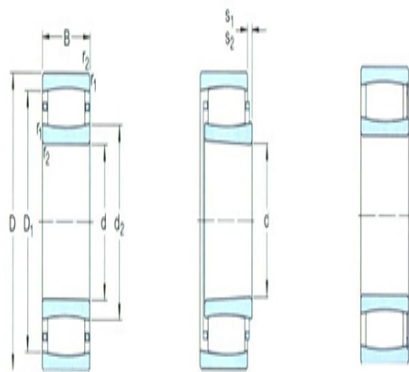
trends C:	1760
static state Co:	2700
Fatigue load limit Pu:	240

Rated rotation speed is  
 r/min

Refer to the speed:	-
limit speed:	220
quality:	34.5

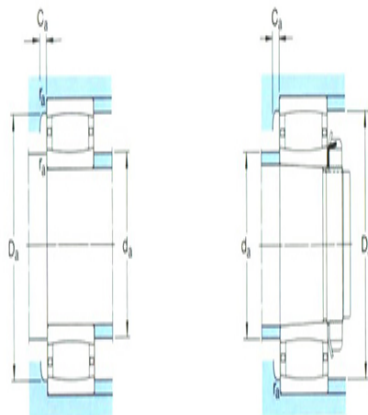
model

Bearing cylindrical hole:	*C4136V1)
conical bore:	*C4136K30V1 )



Dimensions are  
 mm

d:	180
d2 ~ :	211
D1 ~ :	265
r1,2 the min:	3
s1 <sup>1)</sup> ~ :	20
s2 <sup>1)</sup> ~ :	10.1



Shoulder gear and chamfer size  
 mm

da the min:	194
da the max:	210
Da the min:	-
Da the max:	286
Ca <sup>2)</sup> the max:	-

$r_a$ the max:	2.5
----------------	-----

Calculation coefficient

$k_1$ :	0.095
---------	-------

$k_2$ :	0.11
---------	------