



Model: C3236K

Basic size of
 mm

d:	180
D:	320
B:	112

The basic rated load is
 kN

trends C:	1530
static state Co:	2200
Fatigue load limit Pu:	196

Rated rotation speed is
 r/min

Refer to the speed:	1500
limit speed:	2000
quality:	37

model

Bearing cylindrical hole:	*C3236
conical bore:	*C3236K

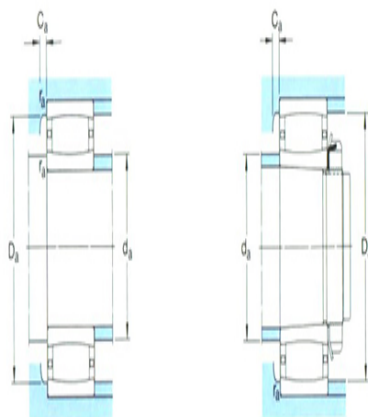
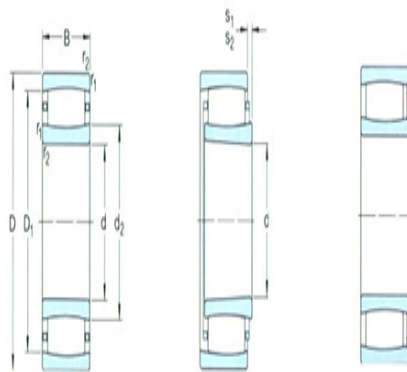
Dimensions are
 mm

d:	180
d ₂ ~ :	228
D1 ~ :	289
r _{1,2} the min:	4
s ₁ ¹⁾ ~ :	27.3
s ₂ ¹⁾ ~ :	-

Shoulder gear and chamfer size
 mm

d _a the min:	197
d _a the max:	245
Da the min:	275
Da the max:	303
Ca ²⁾ the max:	3.2
r _a the max:	3

Calculation coefficient



$k_1:$ 0.107

$k_2:$ 0.104