



Model: C3038K2

Basic size of
mm

d:	190
D:	290
B:	75

The basic rated load is
kN

trends C:	930
static state Co:	1460
Fatigue load limit Pu:	132

Rated rotation speed is
r/min

Refer to the speed:	1800
limit speed:	2400
quality:	17.5

model

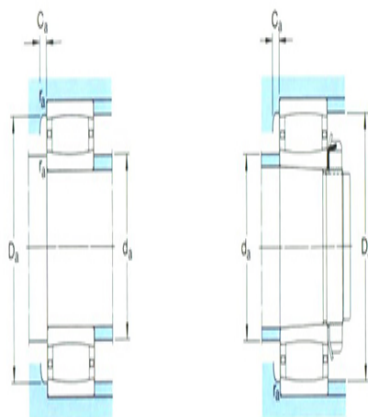
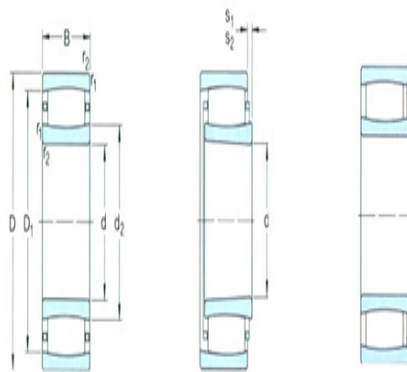
Bearing cylindrical hole:	*C3038
conical bore:	*C3038K2)

Dimensions are
mm

d:	190
d ₂ ~ :	225
D1 ~ :	266
r _{1,2} the min:	2.1
s ₁ ¹⁾ ~ :	16.1
s ₂ ¹⁾ ~ :	-

Shoulder gear and chamfer size
mm

d _a the min:	201
d _a the max:	235
Da the min:	255
Da the max:	279
Ca ²⁾ the max:	1.9



r_a the max:	2
----------------	---

Calculation coefficient

k_1 :	0.113
---------	-------

k_2 :	0.107
---------	-------