



Model: C4038K30V1

Basic size of
 mm

d:	190
D:	290
B:	100

The basic rated load is
 kN

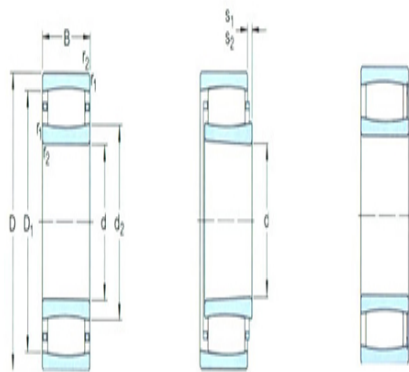
trends C:	1370
static state Co:	2320
Fatigue load limit Pu:	204

Rated rotation speed is
 r/min

Refer to the speed:	-
limit speed:	380
quality:	24.5

model

Bearing cylindrical hole:	*C4038V1)
conical bore:	*C4038K30V1)

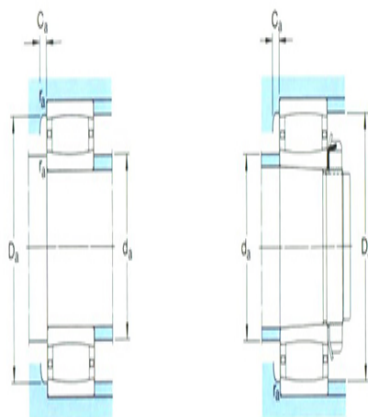


Dimensions are
 mm

d:	190
d ₂ ~ :	220
D1 ~ :	263
r _{1,2} the min:	2.1
s ₁ ¹⁾ ~ :	20
s ₂ ¹⁾ ~ :	10.1

Shoulder gear and chamfer size
 mm

d _a the min:	201
d _a the max:	220
Da the min:	-
Da the max:	279
Ca ²⁾ the max:	-



r_a the max:	2
----------------	---

Calculation coefficient

k_1 :	0.103
---------	-------

k_2 :	0.106
---------	-------