



**Model: C3138K1**

Basic size of  
 mm

d:	190
D:	320
B:	104

The basic rated load is  
 kN

trends C:	1530
static state Co:	2200
Fatigue load limit Pu:	196

Rated rotation speed is  
 r/min

Refer to the speed:	1600
limit speed:	2200
quality:	33.5

model

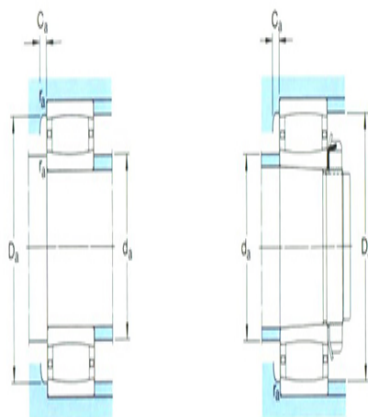
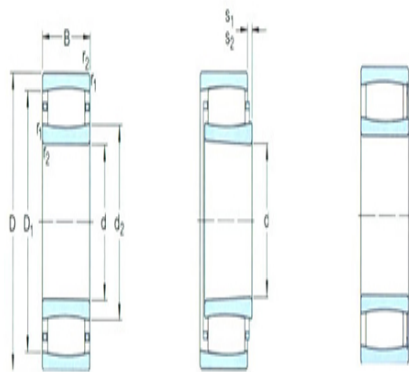
Bearing cylindrical hole:	*C31381)
conical bore:	*C3138K1 )

Dimensions are  
 mm

d:	190
d <sub>2</sub> ~ :	228
D1 ~ :	289
r <sub>1,2</sub> the min:	3
s <sub>1</sub> <sup>1)</sup> ~ :	19
s <sub>2</sub> <sup>1)</sup> ~ :	-

Shoulder gear and chamfer size  
 mm

d <sub>a</sub> the min:	204
d <sub>a</sub> the max:	227
Da the min:	290
Da the max:	306
Ca <sup>2)</sup> the max:	9.1



$r_a$ the max:	2.5
----------------	-----

Calculation coefficient

$k_1$ :	0.096
---------	-------

$k_2$ :	0.113
---------	-------