



## Model: C2217K

Basic size of  
mm

d <sub>1</sub> :	75
D :	150
B :	36

The basic rated load is  
kN

trends C :	275
static state Co :	320
Fatigue load limit Pu :	36.5

Rated rotation speed is  
r/min

Refer to the speed :	4300
limit speed :	5600
Mass bearing + tightening sleeve :	3.7

model

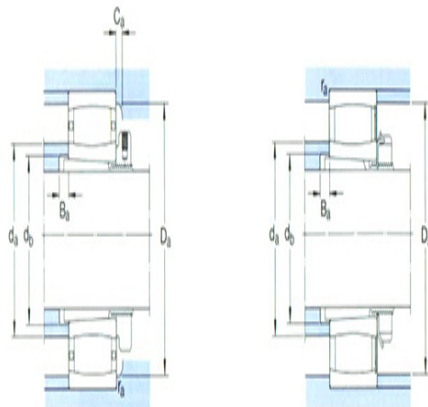
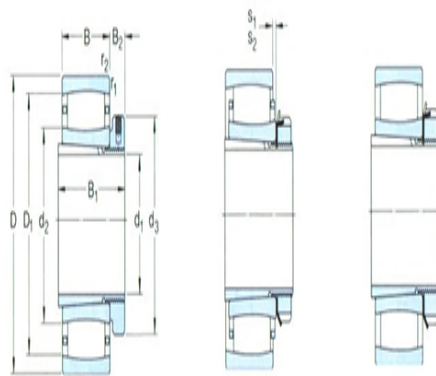
bearing :	*C2217 K
tapered adapter-sleeve :	H317E

Dimensions are  
mm

d <sub>1</sub> :	75
d <sub>2</sub> ~ :	104
d <sub>3</sub> :	110
D1 ~ :	133
B <sub>1</sub> :	63
B <sub>2</sub> :	19
r <sub>1,2</sub> the min :	2
s <sub>1</sub> <sup>1)</sup> ~ :	7.1
s <sub>2</sub> <sup>1)</sup> ~ :	-

Shoulder gear and chamfer size  
mm

d <sub>a</sub> the max :	110
d <sub>b</sub> the min :	91



Da the min:	125
Da the max:	139
B <sub>a</sub> the min:	12
Ca <sup>2)</sup> the min:	1.3
r <sub>a</sub> the max:	2

Calculation coefficient

k <sub>1</sub> :	0.114
k <sub>2</sub> :	0.105