



## Model: C2217KV

Basic size of  
mm

d <sub>1</sub> :	75
D :	150
B :	36

The basic rated load is  
kN

trends C :	315
static state Co :	390
Fatigue load limit Pu :	44

Rated rotation speed is  
r/min

Refer to the speed :	-
limit speed :	1800
Mass bearing + tightening sleeve :	3.85

model

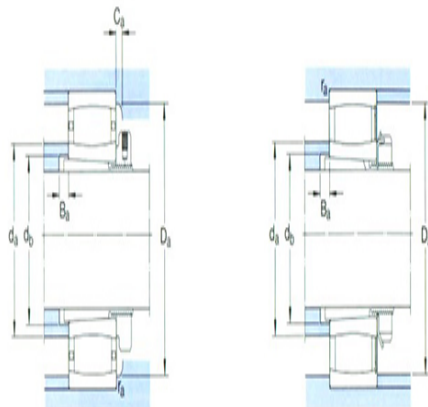
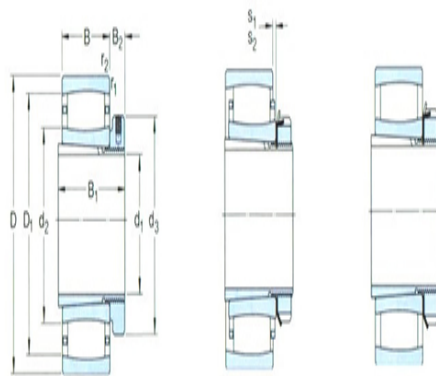
bearing :	*C2217K V
tapered adapter-sleeve :	H317

Dimensions are  
mm

d <sub>1</sub> :	75
d <sub>2</sub> ~ :	104
d <sub>3</sub> :	110
D1 ~ :	133
B <sub>1</sub> :	63
B <sub>2</sub> :	18
r <sub>1,2</sub> the min :	2
s <sub>1</sub> <sup>1)</sup> ~ :	7.1
s <sub>2</sub> <sup>1)</sup> ~ :	1.7

Shoulder gear and chamfer size  
mm

d <sub>a</sub> the max :	115
d <sub>b</sub> the min :	91



Da the min:	-
Da the max:	139
B <sub>a</sub> the min:	12
Ca <sup>2</sup> ) the min:	-
r <sub>a</sub> the max:	2

Calculation coefficient

k <sub>1</sub> :	0.114
k <sub>2</sub> :	0.105