



Model: C2317K

Basic size of
mm

d_1 :	75
D:	180
B:	60

The basic rated load is
kN

trends C:	540
static state C_0 :	600
Fatigue load limit P_u :	65.5

Rated rotation speed is
r/min

Refer to the speed:	3200
limit speed:	4300
Mass bearing + tightening sleeve:	8.5

model

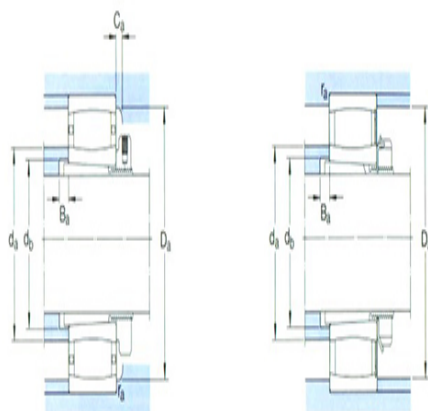
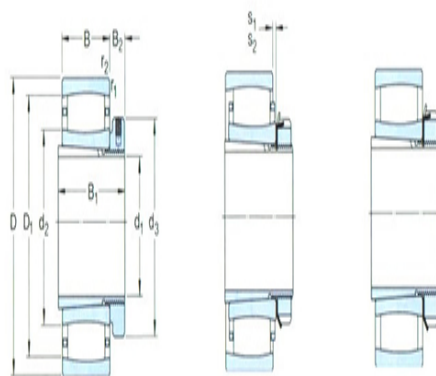
bearing:	*C2317 K
tapered adapter-sleeve:	H2317

Dimensions are
mm

d_1 :	75
$d_2 \sim$:	110
d_3 :	110
D1 ~:	153
B_1 :	82
B_2 :	18
$r_{1,2}$ the min:	3
$s_1^{1) \sim}$:	12.1
$s_2^{1) \sim}$:	-

Shoulder gear and chamfer size
mm

d_a the max:	125
d_b the min:	94



Da the min:	145
Da the max:	166
B _a the min:	7
Ca ²) the min:	2.4
r _a the max:	2.5

Calculation coefficient

k ₁ :	0.105
k ₂ :	0.105