



### Model: C2219K1

Basic size of  
mm

d <sub>1</sub> :	85
D :	170
B :	43

The basic rated load is  
kN

trends C :	360
static state Co :	400
Fatigue load limit Pu :	44

Rated rotation speed is  
r/min

Refer to the speed :	3800
limit speed :	5000
Mass bearing + tightening sleeve :	5.3

model

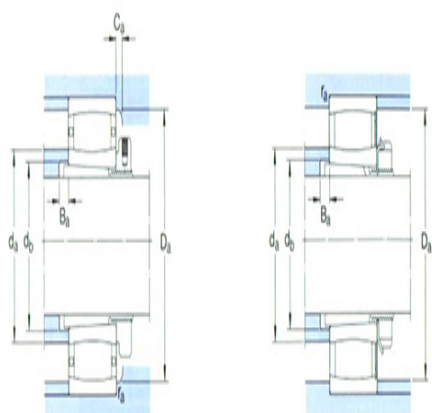
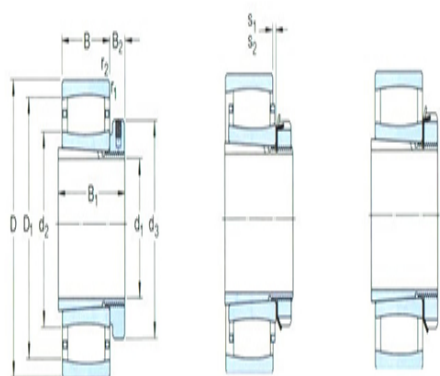
bearing :	*C2219K1 )
tapered adapter- sleeve :	H319E

Dimensions are  
mm

d <sub>1</sub> :	85
d <sub>2</sub> ~ :	113
d <sub>3</sub> :	125
D1 ~ :	149
B <sub>1</sub> :	68
B <sub>2</sub> :	20
r <sub>1,2</sub> the min :	2.1
s <sub>1</sub> <sup>1)</sup> ~ :	10.5
s <sub>2</sub> <sup>1)</sup> ~ :	-

Shoulder gear and chamfer size  
mm

d <sub>a</sub> the max :	112
--------------------------	-----



$d_b$ the min:	102
Da the min:	149
Da the max:	158
$B_a$ the min:	9
$Ca^2$ ) the min:	4.2
$r_a$ the max:	2

Calculation coefficient

$k_1$ :	0.114
$k_2$ :	0.104