



Model: C3120K1

Basic size of
mm

d ₁ :	90
D :	165
B :	52

The basic rated load is
kN

trends C :	415
static state Co :	540
Fatigue load limit Pu :	58.5

Rated rotation speed is
r/min

Refer to the speed :	3200
limit speed :	4300
Mass bearing + tightening sleeve :	6.1

model

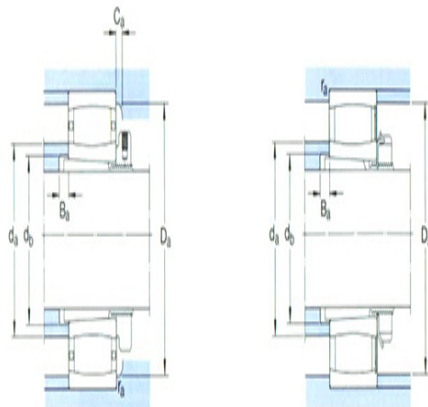
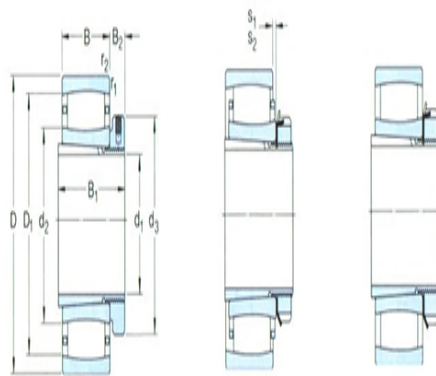
bearing :	*C3120K1)
tapered adapter- sleeve :	H3120E

Dimensions are
mm

d ₁ :	90
d ₂ ~ :	119
d ₃ :	130
D1 ~ :	150
B ₁ :	76
B ₂ :	21
r _{1,2} the min :	2
s ₁ ¹⁾ ~ :	10
s ₂ ¹⁾ ~ :	-

Shoulder gear and chamfer size
mm

d _a the max :	119
--------------------------	-----



d_b the min:	106
Da the min:	150
Da the max:	154
B_a the min:	6
Ca^2) the min:	4.5
r_a the max:	2

Calculation coefficient

k_1 :	0.1
k_2 :	0.112