



Model: C3120KV

Basic size of
mm

d ₁ :	90
D :	165
B :	52

The basic rated load is
kN

trends C :	475
static state Co :	655
Fatigue load limit Pu :	69.5

Rated rotation speed is
r/min

Refer to the speed :	-
limit speed :	1300
Mass bearing + tightening sleeve :	6.1

model

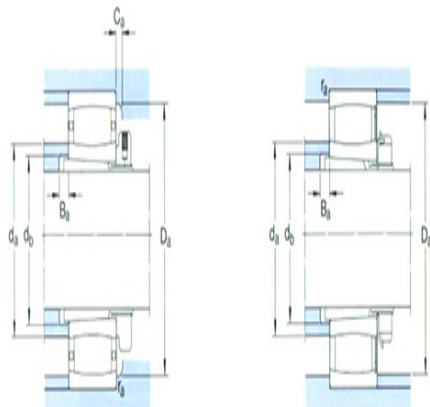
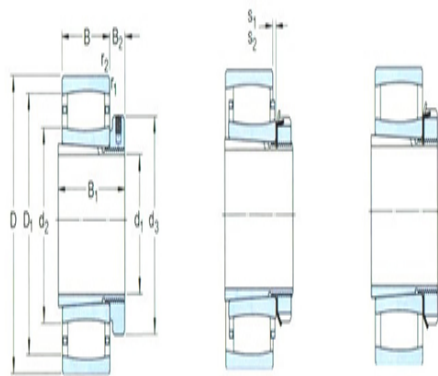
bearing :	*C3120K V
tapered adapter-sleeve :	H3120E

Dimensions are
mm

d ₁ :	90
d ₂ ~ :	119
d ₃ :	130
D1 ~ :	150
B ₁ :	76
B ₂ :	20
r _{1,2} the min :	2
s ₁ ¹⁾ ~ :	10
s ₂ ¹⁾ ~ :	4.7

Shoulder gear and chamfer size
mm

d _a the max :	130
d _b the min :	106



Da the min:	-
Da the max:	154
B _a the min:	6
Ca ²) the min:	-
r _a the max:	2

Calculation coefficient

k ₁ :	0.1
k ₂ :	0.112