



Model: C2320K

Basic size of
 mm

d ₁ :	90
D :	215
B :	73

The basic rated load is
 kN

trends C :	800
static state Co :	880
Fatigue load limit Pu :	91.5

Rated rotation speed is
 r/min

Refer to the speed :	2600
limit speed :	3600
Mass bearing + tightening sleeve :	14.5

model

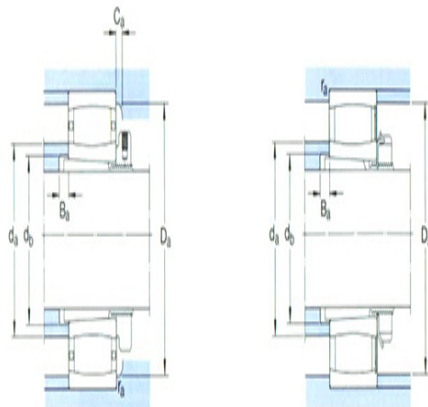
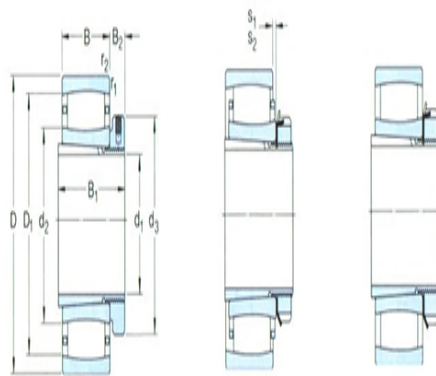
bearing :	*C2320 K
tapered adapter-sleeve :	H2320

Dimensions are
 mm

d ₁ :	90
d ₂ ~ :	126
d ₃ :	130
D1 ~ :	185
B ₁ :	97
B ₂ :	20
r _{1,2} the min :	3
s ₁ ¹⁾ ~ :	11.2
s ₂ ¹⁾ ~ :	-

Shoulder gear and chamfer size
 mm

d _a the max :	150
d _b the min :	110



Da the min:	170
Da the max:	201
B _a the min:	7
Ca ²⁾ the min:	3.2
r _a the max:	2.5

Calculation coefficient

k ₁ :	0.113
k ₂ :	0.096