



**Model: C2222K**

Basic size of  
mm

d <sub>1</sub> :	100
D :	200
B :	53

The basic rated load is  
kN

trends C :	530
static state Co :	620
Fatigue load limit Pu :	64

Rated rotation speed is  
r/min

Refer to the speed :	3200
limit speed :	4300
Mass bearing + tightening sleeve :	8.8

model

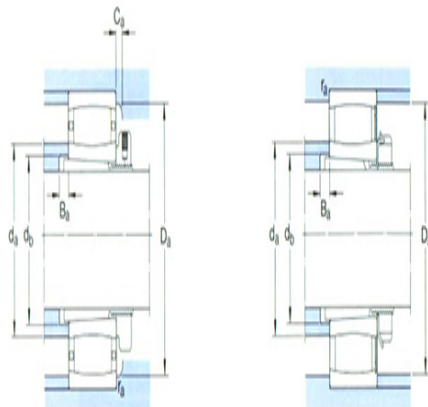
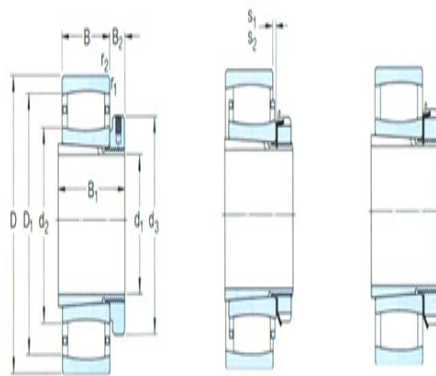
bearing :	*C2222 K
tapered adapter-sleeve :	H322E

Dimensions are  
mm

d <sub>1</sub> :	100
d <sub>2</sub> ~ :	132
d <sub>3</sub> :	145
D1 ~ :	176
B <sub>1</sub> :	77
B <sub>2</sub> :	21.5
r <sub>1,2</sub> the min :	2.1
s <sub>1</sub> <sup>1)</sup> ~ :	11.1
s <sub>2</sub> <sup>1)</sup> ~ :	-

Shoulder gear and chamfer size  
mm

d <sub>a</sub> the max :	150
d <sub>b</sub> the min :	118



Da the min:	165
Da the max:	188
B <sub>a</sub> the min:	6
Ca <sup>2</sup> ) the min:	1.9
r <sub>a</sub> the max:	2

Calculation coefficient

k <sub>1</sub> :	0.113
k <sub>2</sub> :	0.103