



Model: C3024K

Basic size of
mm

d_1 :	110
D:	180
B:	46

The basic rated load is
kN

trends C:	375
static state C_0 :	530
Fatigue load limit P_u :	55

Rated rotation speed is
r/min

Refer to the speed:	3000
limit speed:	4000
Mass bearing + tightening sleeve:	5.7

model

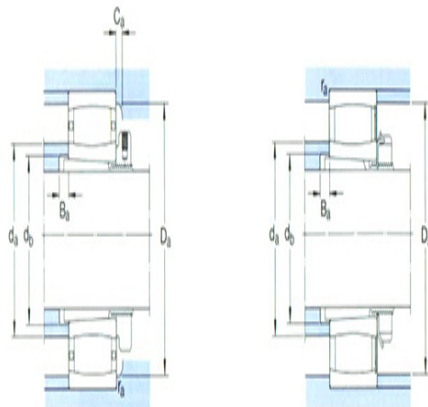
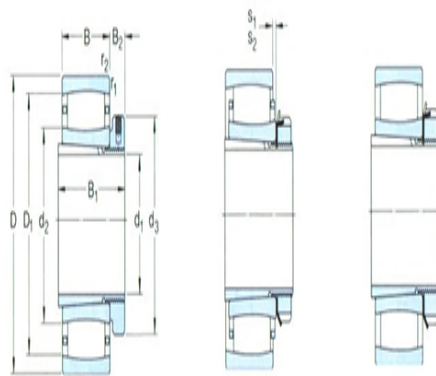
bearing:	*C3024 K
tapered adapter-sleeve:	H3024E

Dimensions are
mm

d_1 :	110
$d_2 \sim$:	138
d_3 :	155
D1 ~:	166
B_1 :	72
B_2 :	26
$r_{1,2}$ the min:	2
$s_1^{1)}$ ~:	10.6
$s_2^{1)}$ ~:	-

Shoulder gear and chamfer size
mm

d_a the max:	145
d_b the min:	127



Da the min:	160
Da the max:	170
B _a the min:	7
Ca ²) the min:	0.9
r _a the max:	2

Calculation coefficient

k ₁ :	0.111
k ₂ :	0.109