



### Model: C2224K1

Basic size of  
mm

d <sub>1</sub> :	110
D:	215
B:	58

The basic rated load is  
kN

trends C:	610
static state Co:	710
Fatigue load limit Pu:	72

Rated rotation speed is  
r/min

Refer to the speed:	3000
limit speed:	4000
Mass bearing + tightening sleeve:	8.6

model

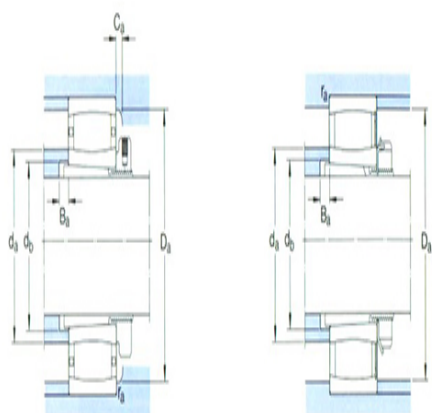
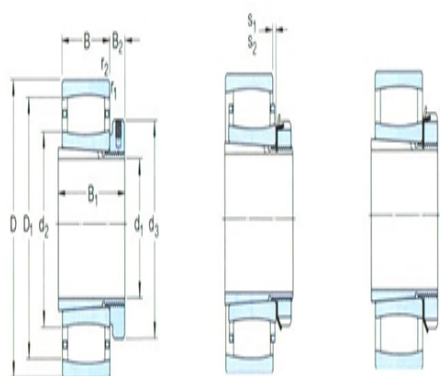
bearing:	*C2224K1 )
tapered adapter- sleeve:	H3124L

Dimensions are  
mm

d <sub>1</sub> :	110
d <sub>2</sub> ~ :	144
d <sub>3</sub> :	145
D1 ~ :	191
B <sub>1</sub> :	88
B <sub>2</sub> :	22
r <sub>1,2</sub> the min:	2.1
s <sub>1</sub> <sup>1)</sup> ~ :	13
s <sub>2</sub> <sup>1)</sup> ~ :	-

Shoulder gear and chamfer size  
mm

d <sub>a</sub> the max:	143
-------------------------	-----



$d_b$ the min:	128
Da the min:	192
Da the max:	203
$B_a$ the min:	11
$Ca^2$ ) the min:	5.4
$r_a$ the max:	2

Calculation coefficient

$k_1$ :	0.113
$k_2$ :	0.103