



Model: C3224K

Basic size of
 mm

d ₁ :	110
D :	215
B :	76

The basic rated load is
 kN

trends C :	750
static state Co :	980
Fatigue load limit Pu :	98

Rated rotation speed is
 r/min

Refer to the speed :	2400
limit speed :	3200
Mass bearing + tightening sleeve :	14.2

model

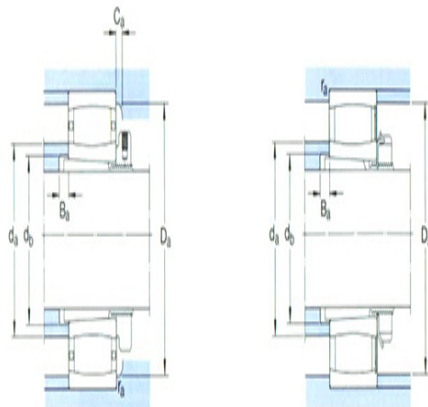
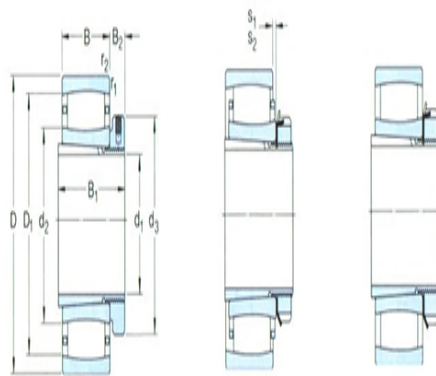
bearing :	*C3224 K
tapered adapter-sleeve :	H2324L

Dimensions are
 mm

d ₁ :	110
d ₂ ~ :	149
d ₃ :	145
D1 ~ :	190
B ₁ :	112
B ₂ :	22
r _{1,2} the min :	2.1
s ₁ ¹⁾ ~ :	17.1
s ₂ ¹⁾ ~ :	-

Shoulder gear and chamfer size
 mm

d _a the max :	160
d _b the min :	131



Da the min:	180
Da the max:	203
B _a the min:	17
Ca ²) the min:	2.4
r _a the max:	2

Calculation coefficient

k ₁ :	0.103
k ₂ :	0.108