



Model: C2226K

Basic size of
mm

d ₁ :	115
D :	230
B :	64

The basic rated load is
kN

trends C :	735
static state Co :	930
Fatigue load limit Pu :	93

Rated rotation speed is
r/min

Refer to the speed :	2800
limit speed :	3800
Mass bearing + tightening sleeve :	14

model

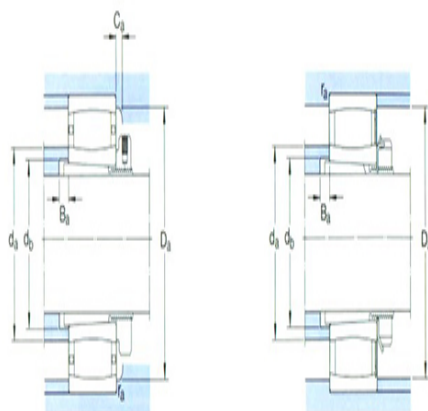
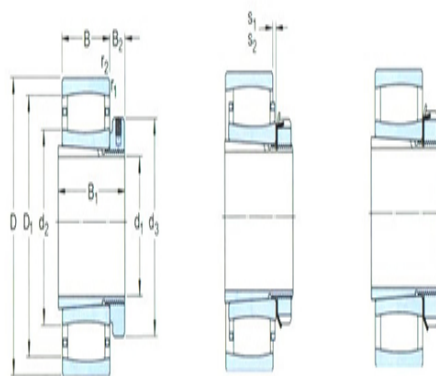
bearing :	*C2226 K
tapered adapter-sleeve :	H3126L

Dimensions are
mm

d ₁ :	115
d ₂ ~ :	152
d ₃ :	155
D1 ~ :	199
B ₁ :	92
B ₂ :	23
r _{1,2} the min :	3
s ₁ ¹⁾ ~ :	9.6
s ₂ ¹⁾ ~ :	-

Shoulder gear and chamfer size
mm

d _a the max :	170
d _b the min :	138



Da the min:	185
Da the max:	216
B _a the min:	8
Ca ²⁾ the min:	1.1
r _a the max:	2.5

Calculation coefficient

k ₁ :	0.113
k ₂ :	0.101