



## Model: C3130K

Basic size of  
mm

$d_1$ :	135
D:	250
B:	80

The basic rated load is  
kN

trends C:	880
static state $C_0$ :	1290
Fatigue load limit $P_u$ :	122

Rated rotation speed is  
r/min

Refer to the speed:	2000
limit speed:	2800
Mass bearing + tightening sleeve:	20

model

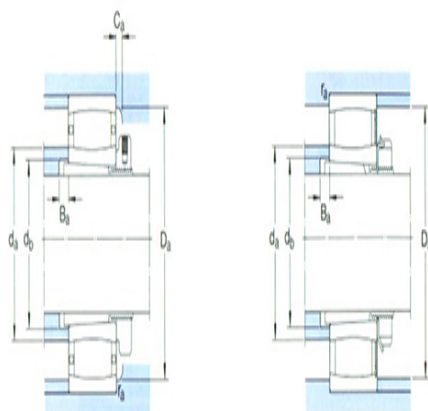
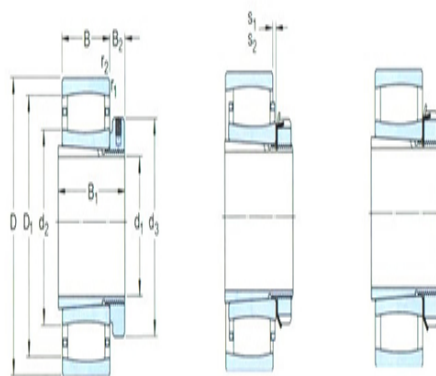
bearing:	*C3130 K
tapered adapter-sleeve:	H3130L

Dimensions are  
mm

$d_1$ :	135
$d_2 \sim$ :	182
$d_3$ :	180
D1 $\sim$ :	226
$B_1$ :	111
$B_2$ :	26
$r_{1,2}$ the min:	2.1
$s_1^{1) \sim}$ :	13.9
$s_2^{1) \sim}$ :	-

Shoulder gear and chamfer size  
mm

$d_a$ the max:	195
$d_b$ the min:	160



Da the min:	215
Da the max:	238
B <sub>a</sub> the min:	8
Ca <sup>2</sup> ) the min:	2.3
r <sub>a</sub> the max:	2

Calculation coefficient

k <sub>1</sub> :	0.12
k <sub>2</sub> :	0.092