



Model: C3032K1

Basic size of
 mm

d ₁ :	140
D :	240
B :	60

The basic rated load is
 kN

trends C :	600
static state Co :	980
Fatigue load limit Pu :	93

Rated rotation speed is
 r/min

Refer to the speed :	2200
limit speed :	3000
Mass bearing + tightening sleeve :	14.5

model

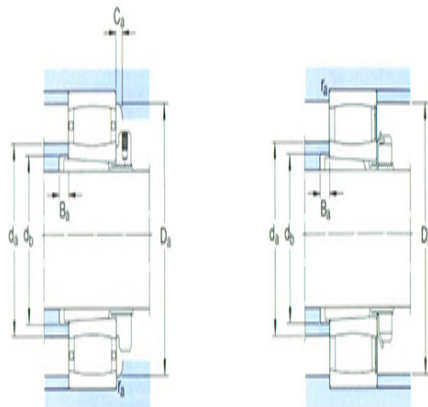
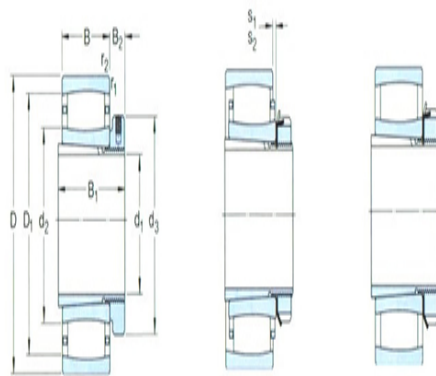
bearing :	*C3032K1)
tapered adapter- sleeve :	H3032

Dimensions are
 mm

d ₁ :	140
d ₂ ~ :	187
d ₃ :	190
D1 ~ :	218
B ₁ :	93
B ₂ :	27.5
r _{1,2} the min :	2.1
s ₁ ¹⁾ ~ :	15
s ₂ ¹⁾ ~ :	-

Shoulder gear and chamfer size
 mm

d _a the max :	186
--------------------------	-----



d_b the min: 168

D_a the min: 220

D_a the max: 229

B_a the min: 8

$Ca^{2)}$ the min: 5.1

r_a the max: 2

Calculation coefficient

k_1 : 0.115

k_2 : 0.106