



Model: C3132K1

Basic size of
 mm

d ₁ :	140
D :	270
B :	86

The basic rated load is
 kN

trends C :	1000
static state Co :	1400
Fatigue load limit Pu :	132

Rated rotation speed is
 r/min

Refer to the speed :	2000
limit speed :	2600
Mass bearing + tightening sleeve :	27

model

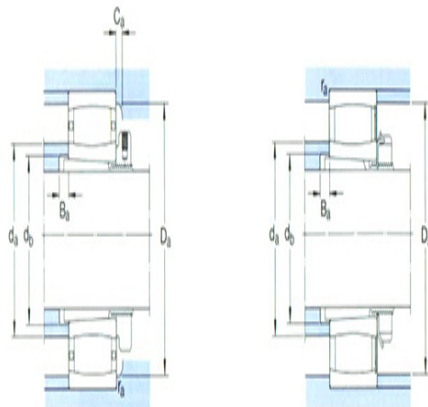
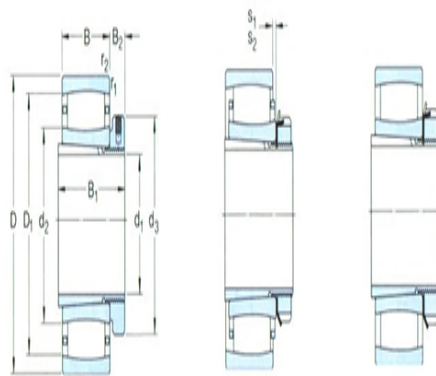
bearing :	*C3132K1)
tapered adapter- sleeve :	H3132L

Dimensions are
 mm

d ₁ :	140
d ₂ ~ :	191
d ₃ :	190
D1 ~ :	240
B ₁ :	119
B ₂ :	27.5
r _{1,2} the min :	2.1
s ₁ ¹⁾ ~ :	19
s ₂ ¹⁾ ~ :	-

Shoulder gear and chamfer size
 mm

d _a the max :	190
--------------------------	-----



d_b the min:	170
Da the min:	242
Da the max:	258
B_a the min:	8
Ca^2) the min:	7.5
r_a the max:	2

Calculation coefficient

k_1 :	0.099
k_2 :	0.111