



## Model: C3232K

Basic size of  
mm

d <sub>1</sub> :	140
D :	290
B :	104

The basic rated load is  
kN

trends C :	1370
static state Co :	1830
Fatigue load limit Pu :	170

Rated rotation speed is  
r/min

Refer to the speed :	1700
limit speed :	2400
Mass bearing + tightening sleeve :	36.5

model

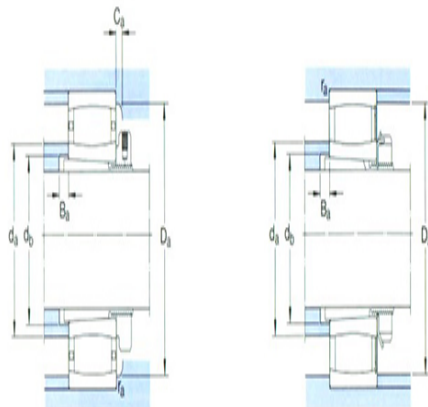
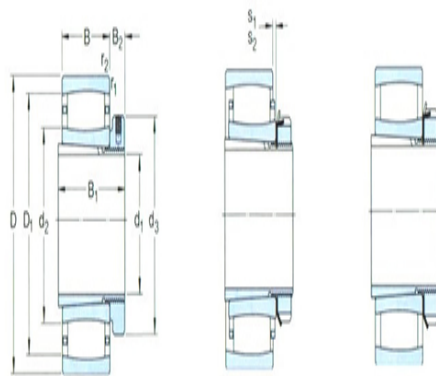
bearing :	*C3232 K
tapered adapter-sleeve :	H2332L

Dimensions are  
mm

d <sub>1</sub> :	140
d <sub>2</sub> ~ :	194
d <sub>3</sub> :	190
D1 ~ :	256
B <sub>1</sub> :	147
B <sub>2</sub> :	27.5
r <sub>1,2</sub> the min :	3
s <sub>1</sub> <sup>1)</sup> ~ :	19.3
s <sub>2</sub> <sup>1)</sup> ~ :	-

Shoulder gear and chamfer size  
mm

d <sub>a</sub> the max :	215
d <sub>b</sub> the min :	174



Da the min:	245
Da the max:	276
B <sub>a</sub> the min:	18
Ca <sup>2)</sup> the min:	2.6
r <sub>a</sub> the max:	2.5

Calculation coefficient

k <sub>1</sub> :	0.112
k <sub>2</sub> :	0.096