



Model: H317E

Basic size of
mm

d ₁ :	75
D :	150
B :	36

The basic rated load is
kN

trends C :	275
static state Co :	320
Fatigue load limit Pu :	36.5

Rated rotation speed is
r/min

Refer to the speed :	4300
limit speed :	5600
Mass bearing + tightening sleeve :	3.7

model

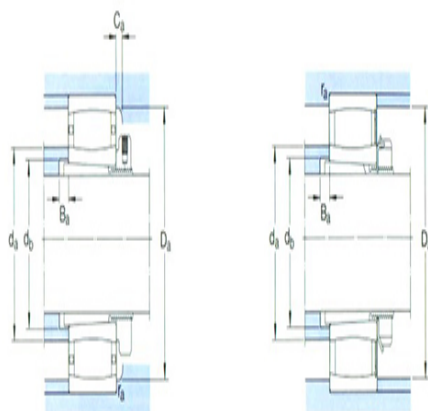
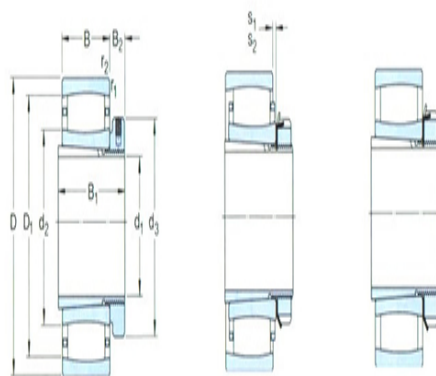
bearing :	*C2217 K
tapered adapter-sleeve :	H317E

Dimensions are
mm

d ₁ :	75
d ₂ ~ :	104
d ₃ :	110
D1 ~ :	133
B ₁ :	63
B ₂ :	19
r _{1,2} the min :	2
s ₁ ¹⁾ ~ :	7.1
s ₂ ¹⁾ ~ :	-

Shoulder gear and chamfer size
mm

d _a the max :	110
d _b the min :	91



Da the min:	125
Da the max:	139
B _a the min:	12
Ca ²⁾ the min:	1.3
r _a the max:	2

Calculation coefficient

k ₁ :	0.114
k ₂ :	0.105