



Model: H2317

Basic size of
mm

d ₁ :	75
D :	180
B :	60

The basic rated load is
kN

trends C :	540
static state Co :	600
Fatigue load limit Pu :	65.5

Rated rotation speed is
r/min

Refer to the speed :	3200
limit speed :	4300
Mass bearing + tightening sleeve :	8.5

model

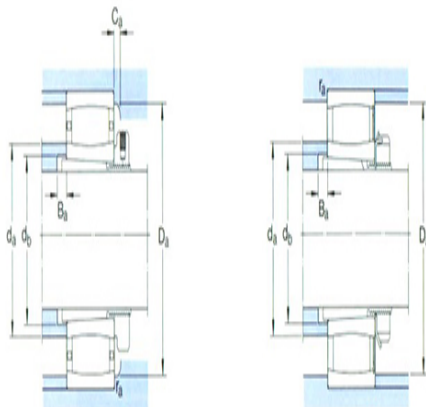
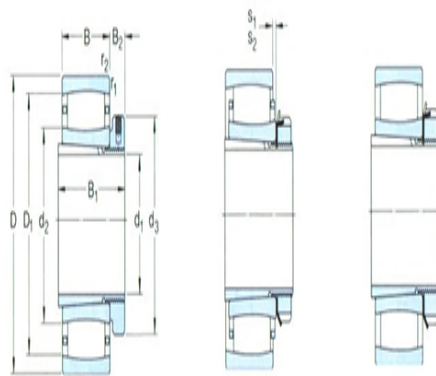
bearing :	*C2317 K
tapered adapter-sleeve :	H2317

Dimensions are
mm

d ₁ :	75
d ₂ ~ :	110
d ₃ :	110
D1 ~ :	153
B ₁ :	82
B ₂ :	18
r _{1,2} the min :	3
s ₁ ¹⁾ ~ :	12.1
s ₂ ¹⁾ ~ :	-

Shoulder gear and chamfer size
mm

d _a the max :	125
d _b the min :	94



Da the min:	145
Da the max:	166
B _a the min:	7
Ca ²) the min:	2.4
r _a the max:	2.5

Calculation coefficient

k ₁ :	0.105
k ₂ :	0.105