



Model: H318

Basic size of
mm

d_1 :	80
D :	160
B :	40

The basic rated load is
kN

trends C :	365
static state C_0 :	440
Fatigue load limit P_u :	49

Rated rotation speed is
r/min

Refer to the speed :	-
limit speed :	1500
Mass bearing + tightening sleeve :	4.6

model

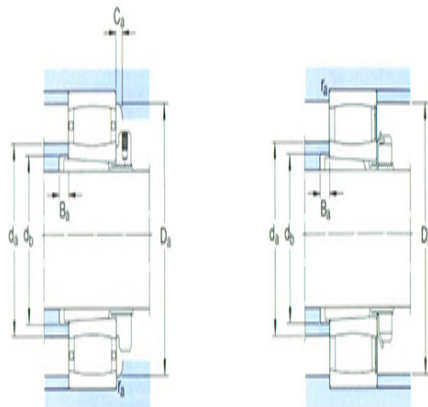
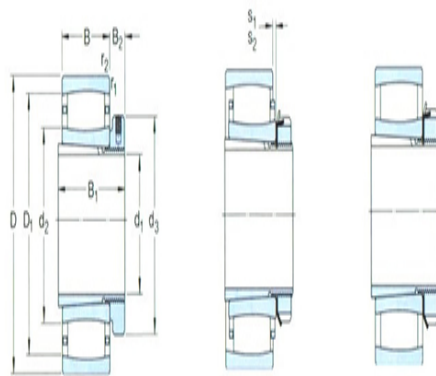
bearing :	*C2218K V
tapered adapter-sleeve :	H318

Dimensions are
mm

d_1 :	80
$d_2 \sim$:	112
d_3 :	120
D1 \sim :	144
B_1 :	65
B_2 :	18
$r_{1,2}$ the min :	2
$s_1^{1)}$ \sim :	9.5
$s_2^{1)}$ \sim :	5.4

Shoulder gear and chamfer size
mm

d_a the max :	125
d_b the min :	96



Da the min:	-
Da the max:	149
B _a the min:	10
Ca ²) the min:	-
r _a the max:	2

Calculation coefficient

k ₁ :	0.104
k ₂ :	0.117