



Model: H2318

Basic size of
mm

d_1 :	80
D:	190
B:	64

The basic rated load is
kN

trends C:	610
static state C_0 :	695
Fatigue load limit P_u :	73.5

Rated rotation speed is
r/min

Refer to the speed:	2800
limit speed:	4000
Mass bearing + tightening sleeve:	10

model

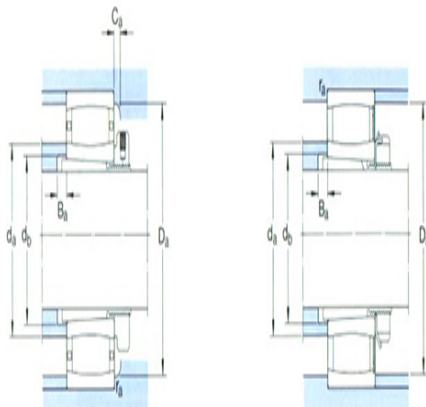
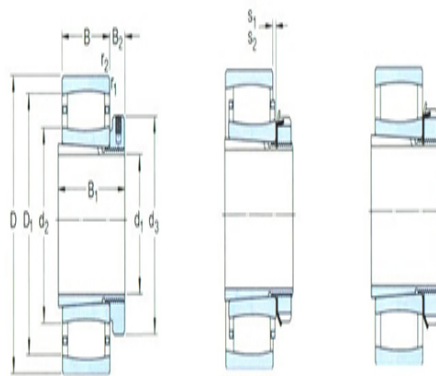
bearing:	*C2318 K
tapered adapter-sleeve:	H2318

Dimensions are
mm

d_1 :	80
$d_2 \sim$:	119
d_3 :	120
D1 ~:	166
B_1 :	86
B_2 :	18
$r_{1,2}$ the min:	3
$s_1^{1)}$ ~:	9.6
$s_2^{1)}$ ~:	-

Shoulder gear and chamfer size
mm

d_a the max:	135
d_b the min:	100



Da the min:	155
Da the max:	176
B _a the min:	7
Ca ²) the min:	2
r _a the max:	2.5

Calculation coefficient

k ₁ :	0.108
k ₂ :	0.101