



Model: H2319

Basic size of
mm

d_1 :	85
D :	200
B :	67

The basic rated load is
kN

trends C :	610
static state C_0 :	695
Fatigue load limit P_u :	73.5

Rated rotation speed is
r/min

Refer to the speed :	2800
limit speed :	4000
Mass bearing + tightening sleeve :	11.5

model

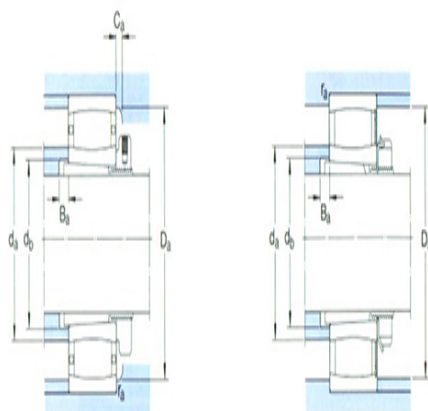
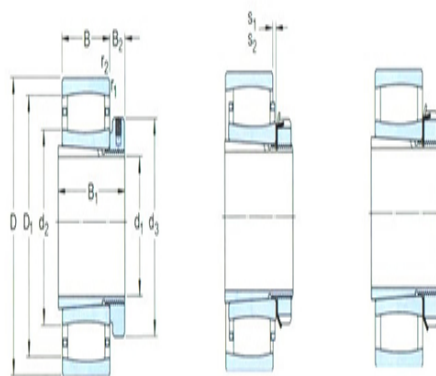
bearing :	*C2319 K
tapered adapter-sleeve :	H2319

Dimensions are
mm

d_1 :	85
$d_2 \sim$:	120
d_3 :	125
D1 \sim :	166
B_1 :	90
B_2 :	19
$r_{1,2}$ the min :	3
$s_1^{1)}$ \sim :	12.6
$s_2^{1)}$ \sim :	-

Shoulder gear and chamfer size
mm

d_a the max :	135
d_b the min :	105



Da the min:	155
Da the max:	186
B _a the min:	7
Ca ²) the min:	2.1
r _a the max:	2.5

Calculation coefficient

k ₁ :	0.103
k ₂ :	0.106