



Model: H3120E

Basic size of
mm

d_1 :	90
D:	165
B:	52

The basic rated load is
kN

trends C:	475
static state C_0 :	655
Fatigue load limit Pu:	69.5

Rated rotation speed is
r/min

Refer to the speed:	-
limit speed:	1300
Mass bearing + tightening sleeve:	6.1

model

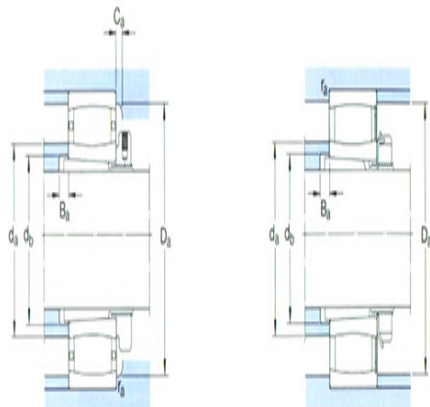
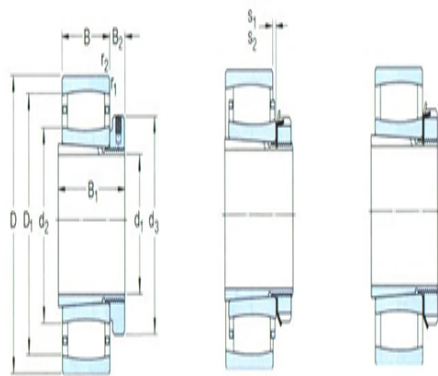
bearing:	*C3120K V
tapered adapter-sleeve:	H3120E

Dimensions are
mm

d_1 :	90
$d_2 \sim$:	119
d_3 :	130
D1 \sim :	150
B ₁ :	76
B ₂ :	20
$r_{1,2}$ the min:	2
$s_1^{1) \sim}$:	10
$s_2^{1) \sim}$:	4.7

Shoulder gear and chamfer size
mm

d_a the max:	130
d_b the min:	106



Da the min:	-
Da the max:	154
B _a the min:	6
Ca ²) the min:	-
r _a the max:	2

Calculation coefficient

k ₁ :	0.1
k ₂ :	0.112