



Model: H320E

Basic size of
mm

d_1 :	90
D:	180
B:	46

The basic rated load is
kN

trends C:	415
static state C_0 :	465
Fatigue load limit P_u :	47.5

Rated rotation speed is
r/min

Refer to the speed:	3600
limit speed:	4800
Mass bearing + tightening sleeve:	6.3

model

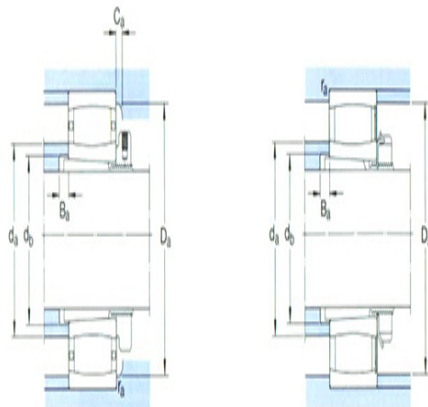
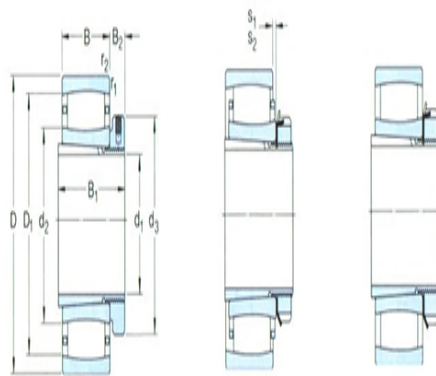
bearing:	*C2220 K
tapered adapter-sleeve:	H320E

Dimensions are
mm

d_1 :	90
$d_2 \sim$:	118
d_3 :	130
D1 ~:	157
B_1 :	71
B_2 :	21
$r_{1,2}$ the min:	2.1
$s_1^{1)} \sim$:	10.1
$s_2^{1)} \sim$:	-

Shoulder gear and chamfer size
mm

d_a the max:	130
d_b the min:	108



Da the min:	150
Da the max:	168
B _a the min:	8
Ca ²⁾ the min:	0.9
r _a the max:	2

Calculation coefficient

k ₁ :	0.108
k ₂ :	0.11