



Model: H322E

Basic size of
mm

d_1 :	100
D:	170
B:	45

The basic rated load is
kN

trends C:	355
static state C_0 :	480
Fatigue load limit P_u :	51

Rated rotation speed is
r/min

Refer to the speed:	3200
limit speed:	4500
Mass bearing + tightening sleeve:	5.5

model

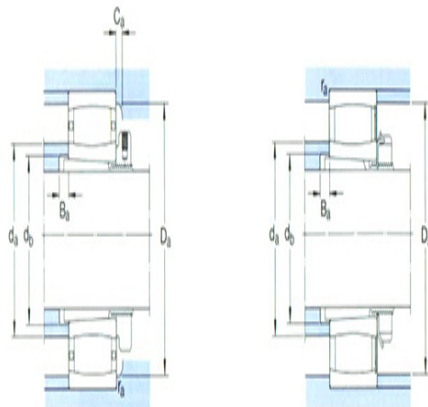
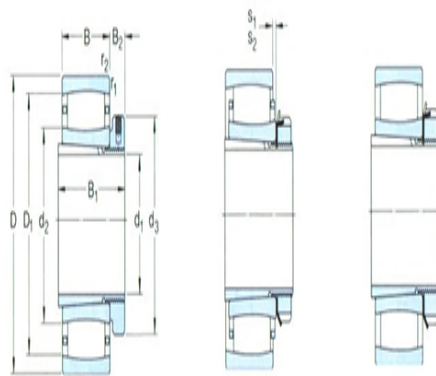
bearing:	*C3022 K
tapered adapter-sleeve:	H322E

Dimensions are
mm

d_1 :	100
$d_2 \sim$:	128
d_3 :	145
D1 \sim :	156
B_1 :	77
B_2 :	21.5
$r_{1,2}$ the min:	2
$s_1^{1)}$ \sim :	9.5
$s_2^{1)}$ \sim :	-

Shoulder gear and chamfer size
mm

d_a the max:	127
d_b the min:	118



Da the min:	157
Da the max:	160
B _a the min:	14
Ca ²) the min:	4
r _a the max:	2

Calculation coefficient

k ₁ :	0.107
k ₂ :	0.11