



Model: H3024E

Basic size of
mm

d ₁ :	110
D :	180
B :	46

The basic rated load is
kN

trends C :	375
static state Co :	530
Fatigue load limit Pu :	55

Rated rotation speed is
r/min

Refer to the speed :	3000
limit speed :	4000
Mass bearing + tightening sleeve :	5.7

model

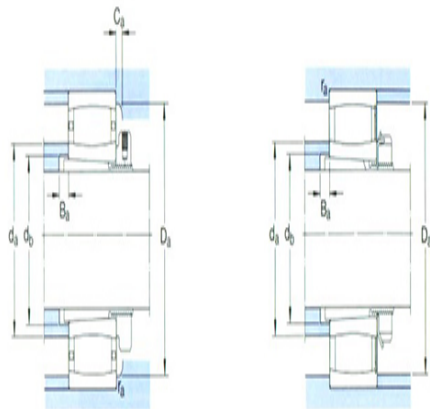
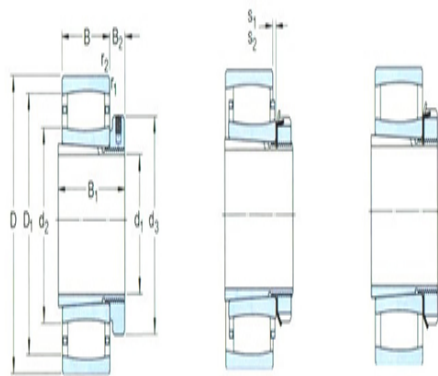
bearing :	*C3024 K
tapered adapter-sleeve :	H3024E

Dimensions are
mm

d ₁ :	110
d ₂ ~ :	138
d ₃ :	155
D1 ~ :	166
B ₁ :	72
B ₂ :	26
r _{1,2} the min :	2
s ₁ ¹⁾ ~ :	10.6
s ₂ ¹⁾ ~ :	-

Shoulder gear and chamfer size
mm

d _a the max :	145
d _b the min :	127



Da the min:	160
Da the max:	170
B _a the min:	7
Ca ²) the min:	0.9
r _a the max:	2

Calculation coefficient

k ₁ :	0.111
k ₂ :	0.109