



Model: H3024

Basic size of
mm

d ₁ :	110
D :	180
B :	46

The basic rated load is
kN

trends C :	430
static state Co :	640
Fatigue load limit Pu :	67

Rated rotation speed is
r/min

Refer to the speed :	-
limit speed :	1400
Mass bearing + tightening sleeve :	5.85

model

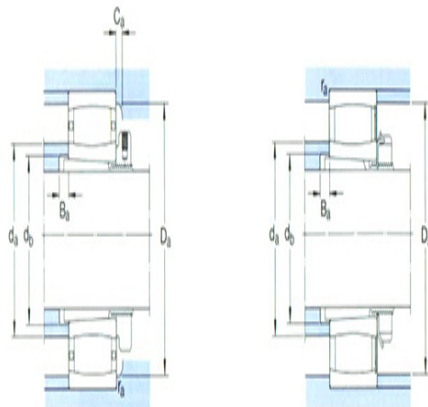
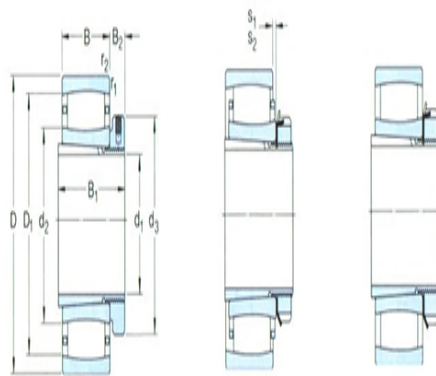
bearing :	*C3024K V
tapered adapter-sleeve :	H3024

Dimensions are
mm

d ₁ :	110
d ₂ ~ :	138
d ₃ :	145
D1 ~ :	166
B ₁ :	72
B ₂ :	22
r _{1,2} the min :	2
s ₁ ¹⁾ ~ :	10.6
s ₂ ¹⁾ ~ :	3.8

Shoulder gear and chamfer size
mm

d _a the max :	150
d _b the min :	127



Da the min:	-
Da the max:	170
B _a the min:	7
Ca ²⁾ the min:	-
r _a the max:	2

Calculation coefficient

k ₁ :	0.111
k ₂ :	0.109