



Model: H3124L

Basic size of
mm

d ₁ :	110
D:	215
B:	58

The basic rated load is
kN

trends C:	610
static state Co:	710
Fatigue load limit Pu:	72

Rated rotation speed is
r/min

Refer to the speed:	3000
limit speed:	4000
Mass bearing + tightening sleeve:	8.6

model

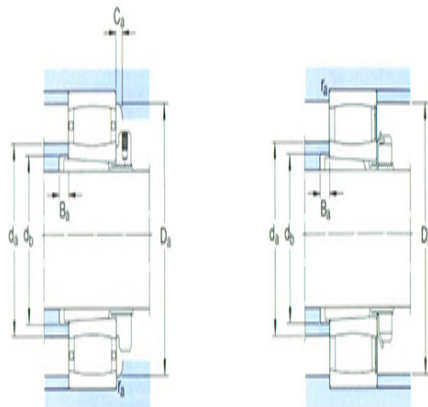
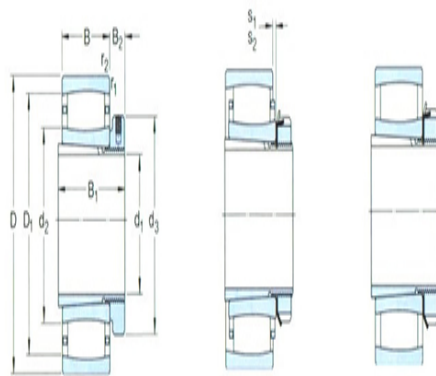
bearing:	*C2224K1)
tapered adapter- sleeve:	H3124L

Dimensions are
mm

d ₁ :	110
d ₂ ~ :	144
d ₃ :	145
D1 ~ :	191
B ₁ :	88
B ₂ :	22
r _{1,2} the min:	2.1
s ₁ ¹⁾ ~ :	13
s ₂ ¹⁾ ~ :	-

Shoulder gear and chamfer size
mm

d _a the max:	143
-------------------------	-----



d_b the min:	128
Da the min:	192
Da the max:	203
B_a the min:	11
Ca^2) the min:	5.4
r_a the max:	2

Calculation coefficient

k_1 :	0.113
k_2 :	0.103