



## Model: H2324L

Basic size of  
mm

|                  |     |
|------------------|-----|
| d <sub>1</sub> : | 110 |
| D :              | 215 |
| B :              | 76  |

The basic rated load is  
kN

|                            |     |
|----------------------------|-----|
| trends C :                 | 750 |
| static state Co :          | 980 |
| Fatigue load limit<br>Pu : | 98  |

Rated rotation speed is  
r/min

|                                       |      |
|---------------------------------------|------|
| Refer to the speed :                  | 2400 |
| limit speed :                         | 3200 |
| Mass bearing + tightening<br>sleeve : | 14.2 |

model

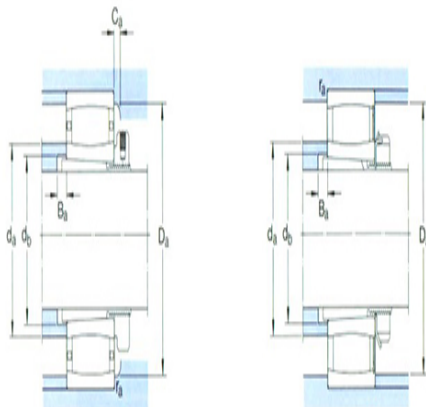
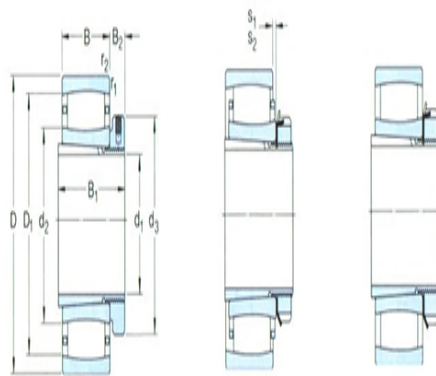
|                          |             |
|--------------------------|-------------|
| bearing :                | *C3224<br>K |
| tapered adapter-sleeve : | H2324L      |

Dimensions are  
mm

|                                  |      |
|----------------------------------|------|
| d <sub>1</sub> :                 | 110  |
| d <sub>2</sub> ~ :               | 149  |
| d <sub>3</sub> :                 | 145  |
| D1 ~ :                           | 190  |
| B <sub>1</sub> :                 | 112  |
| B <sub>2</sub> :                 | 22   |
| r <sub>1,2</sub> the min :       | 2.1  |
| s <sub>1</sub> <sup>1)</sup> ~ : | 17.1 |
| s <sub>2</sub> <sup>1)</sup> ~ : | -    |

Shoulder gear and chamfer size  
mm

|                          |     |
|--------------------------|-----|
| d <sub>a</sub> the max : | 160 |
| d <sub>b</sub> the min : | 131 |



|                            |     |
|----------------------------|-----|
| Da the min:                | 180 |
| Da the max:                | 203 |
| B <sub>a</sub> the min:    | 17  |
| Ca <sup>2</sup> ) the min: | 2.4 |
| r <sub>a</sub> the max:    | 2   |

Calculation coefficient

|                  |       |
|------------------|-------|
| k <sub>1</sub> : | 0.103 |
| k <sub>2</sub> : | 0.108 |