



Model: H3026

Basic size of
 mm

d ₁ :	115
D :	200
B :	52

The basic rated load is
 kN

trends C :	390
static state Co :	585
Fatigue load limit Pu :	58.5

Rated rotation speed is
 r/min

Refer to the speed :	2800
limit speed :	3800
Mass bearing + tightening sleeve :	8.7

model

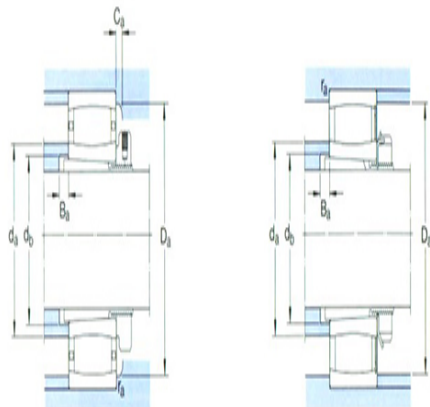
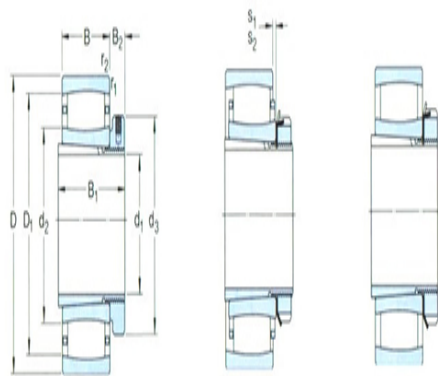
bearing :	*C3026K1)
tapered adapter- sleeve :	H3026

Dimensions are
 mm

d ₁ :	115
d ₂ ~ :	154
d ₃ :	155
D1 ~ :	180
B ₁ :	80
B ₂ :	23
r _{1,2} the min :	2
s ₁ ¹⁾ ~ :	16.5
s ₂ ¹⁾ ~ :	-

Shoulder gear and chamfer size
 mm

d _a the max :	152
--------------------------	-----



d_b the min:	137
Da the min:	182
Da the max:	190
B_a the min:	8
Ca^2) the min:	4.4
r_a the max:	2

Calculation coefficient

k_1 :	0.123
k_2 :	0.1