



Model: H3028

Basic size of
mm

d ₁ :	125
D:	210
B:	53

The basic rated load is
kN

trends C:	490
static state Co:	735
Fatigue load limit Pu:	72

Rated rotation speed is
r/min

Refer to the speed:	2600
limit speed:	3400
Mass bearing + tightening sleeve:	9.3

model

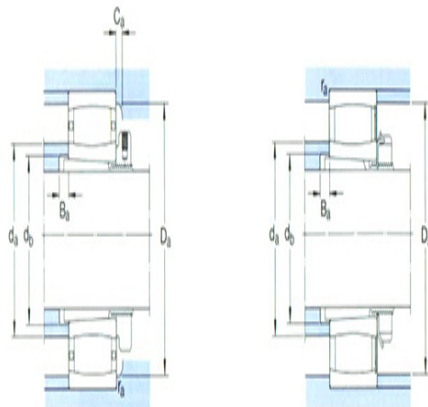
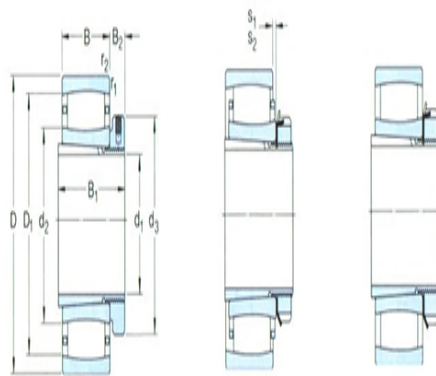
bearing:	*C3028K1)
tapered adapter- sleeve:	H3028

Dimensions are
mm

d ₁ :	125
d ₂ ~ :	163
d ₃ :	165
D1 ~ :	194
B ₁ :	82
B ₂ :	24
r _{1,2} the min:	2
s ₁ ¹⁾ ~ :	11
s ₂ ¹⁾ ~ :	-

Shoulder gear and chamfer size
mm

d _a the max:	161
-------------------------	-----



d_b the min:	147
Da the min:	195
Da the max:	200
B_a the min:	8
Ca^2) the min:	4.7
r_a the max:	2

Calculation coefficient

k_1 :	0.102
k_2 :	0.116