



Model: H3128L

Basic size of
mm

d ₁ :	125
D :	250
B :	68

The basic rated load is
kN

trends C :	830
static state Co :	1060
Fatigue load limit Pu :	102

Rated rotation speed is
r/min

Refer to the speed :	2400
limit speed :	3400
Mass bearing + tightening sleeve :	17.5

model

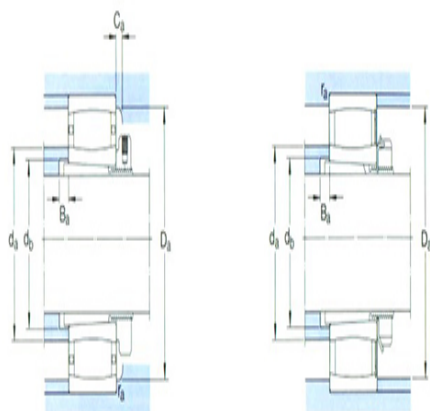
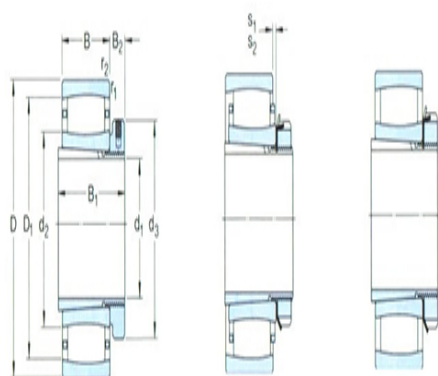
bearing :	*C2228 K
tapered adapter-sleeve :	H3128L

Dimensions are
mm

d ₁ :	125
d ₂ ~ :	173
d ₃ :	165
D1 ~ :	223
B ₁ :	97
B ₂ :	24
r _{1,2} the min :	3
s ₁ ¹⁾ ~ :	13.7
s ₂ ¹⁾ ~ :	-

Shoulder gear and chamfer size
mm

d _a the max :	190
d _b the min :	149



Da the min:	210
Da the max:	236
B _a the min:	8
Ca ²) the min:	2.3
r _a the max:	2.5

Calculation coefficient

k ₁ :	0.109
k ₂ :	0.108