



**Model: H3030E**

Basic size of  
mm

d <sub>1</sub> :	135
D :	225
B :	56

The basic rated load is  
kN

trends C :	540
static state Co :	850
Fatigue load limit Pu :	83

Rated rotation speed is  
r/min

Refer to the speed :	2400
limit speed :	3200
Mass bearing + tightening sleeve :	12

model

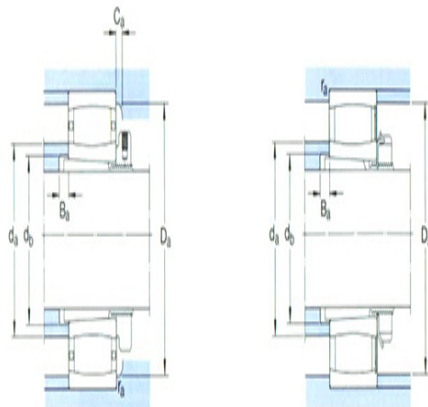
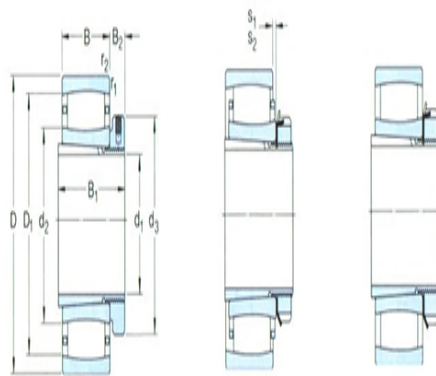
bearing :	*C3030KM B
tapered adapter- sleeve :	H3030E

Dimensions are  
mm

d <sub>1</sub> :	135
d <sub>2</sub> ~ :	173
d <sub>3</sub> :	180
D1 ~ :	204
B <sub>1</sub> :	87
B <sub>2</sub> :	26
r <sub>1,2</sub> the min :	2.1
s <sub>1</sub> <sup>1)</sup> ~ :	2.8
s <sub>2</sub> <sup>1)</sup> ~ :	-

Shoulder gear and chamfer size  
mm

d <sub>a</sub> the max :	172
--------------------------	-----



$d_b$  the min: 158

$Da$  the min: 200

$Da$  the max: 214

$B_a$  the min: 8

$Ca^{2)}$  the min: 1.3

$r_a$  the max: 2

#### Calculation coefficient

$k_1$ : -

$k_2$ : 0.108