



Model: H3130L

Basic size of
mm

d_1 :	135
D:	250
B:	80

The basic rated load is
kN

trends C:	880
static state C_0 :	1290
Fatigue load limit P_u :	122

Rated rotation speed is
r/min

Refer to the speed:	2000
limit speed:	2800
Mass bearing + tightening sleeve:	20

model

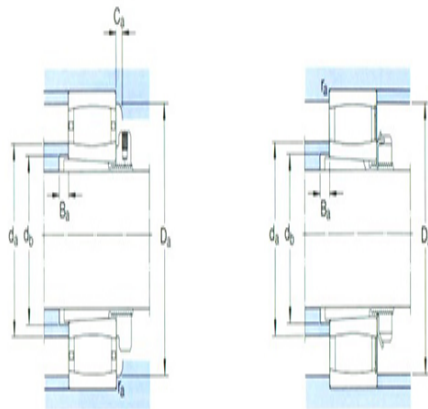
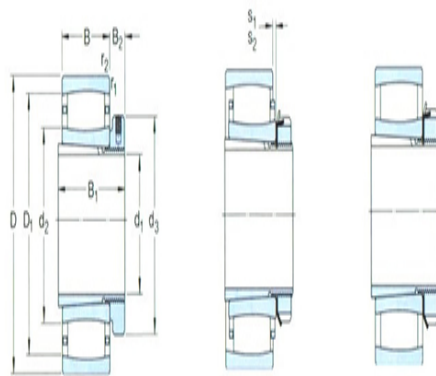
bearing:	*C3130 K
tapered adapter-sleeve:	H3130L

Dimensions are
mm

d_1 :	135
$d_2 \sim$:	182
d_3 :	180
D1 ~:	226
B_1 :	111
B_2 :	26
$r_{1,2}$ the min:	2.1
$s_1^{1)}$ ~:	13.9
$s_2^{1)}$ ~:	-

Shoulder gear and chamfer size
mm

d_a the max:	195
d_b the min:	160



Da the min:	215
Da the max:	238
B _a the min:	8
Ca ²⁾ the min:	2.3
r _a the max:	2

Calculation coefficient

k ₁ :	0.12
k ₂ :	0.092